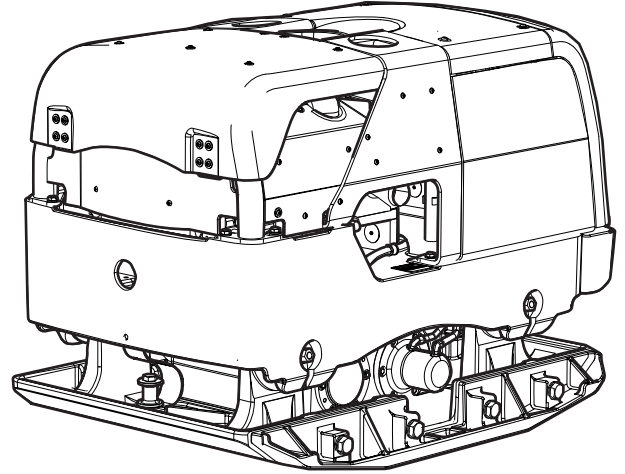


Spare parts list

Forward and reversible plate

| | Valid from serial number |
|---------------------------------------|--------------------------|
| LH 804 Hatz Electric start 660 mm | BGF000001 |
| LH 804 Hatz Electric start 660 mm Bio | BGF000001 |
| LH 804 Hatz Electric start 810 mm Bio | BGF000001 |
| LH 804 Hatz Electric start 960 mm Bio | BGF000001 |



Contents

| | |
|--|----|
| General information..... | 5 |
| Spare parts list..... | 6 |
| Ground plate, engine plate and frame..... | 6 |
| Noise suppression..... | 8 |
| Hydraulic oil tank..... | 10 |
| Eccentric element..... | 12 |
| Hydraulic cylinder..... | 14 |
| Engine installation..... | 16 |
| Hydraulic system..... | 18 |
| Hydraulic block..... | 20 |
| Electrical equipment..... | 22 |
| Battery box..... | 26 |
| Emergency box..... | 28 |
| Labels..... | 30 |
| Kits..... | 32 |
| One year service kit..... | 32 |
| Shock absorber repair kit..... | 32 |
| Eccentric element repair kit..... | 32 |
| Forward and reverse piston repair kit..... | 33 |
| Extension plate kit 2 x 75 mm (2 x 2.95 in.)..... | 33 |
| Extension plate kit 2 x 150 mm (2 x 5.90 in.)..... | 34 |

General information

This spare parts list applies to the following:

| Part number | Description |
|--------------|--|
| 3382 0001 51 | Forward and reversing plate LH 804 Hatz Electric start 660 mm (25.98 in.) |
| 3382 0002 15 | Forward and reversing plate LH 804 Hatz Electric start 660 mm (25.98 in.) Bio |
| 3382 0002 16 | Forward and reversing plate LH 804 Hatz Electric start 810 mm (31.89 in.) Bio (660 mm plus 2 x 75 mm / 25.98 in. plus 2 x 2.95 in.) |
| 3382 0002 14 | Forward and reversing plate LH 804 Hatz Electric start 960 mm (37.80 in.) Bio (660 mm plus 2 x 150 mm / 25.98 in. plus 2 x 5.91 in.) |

Use only authorized parts. Any damage or malfunction caused by the use of unauthorized parts is not covered by Warranty or Product Liability. Any unauthorized use or copying of the contents or any part thereof is prohibited. This applies in particular to trademarks, model denominations, part numbers, and drawings.

Instructions for use

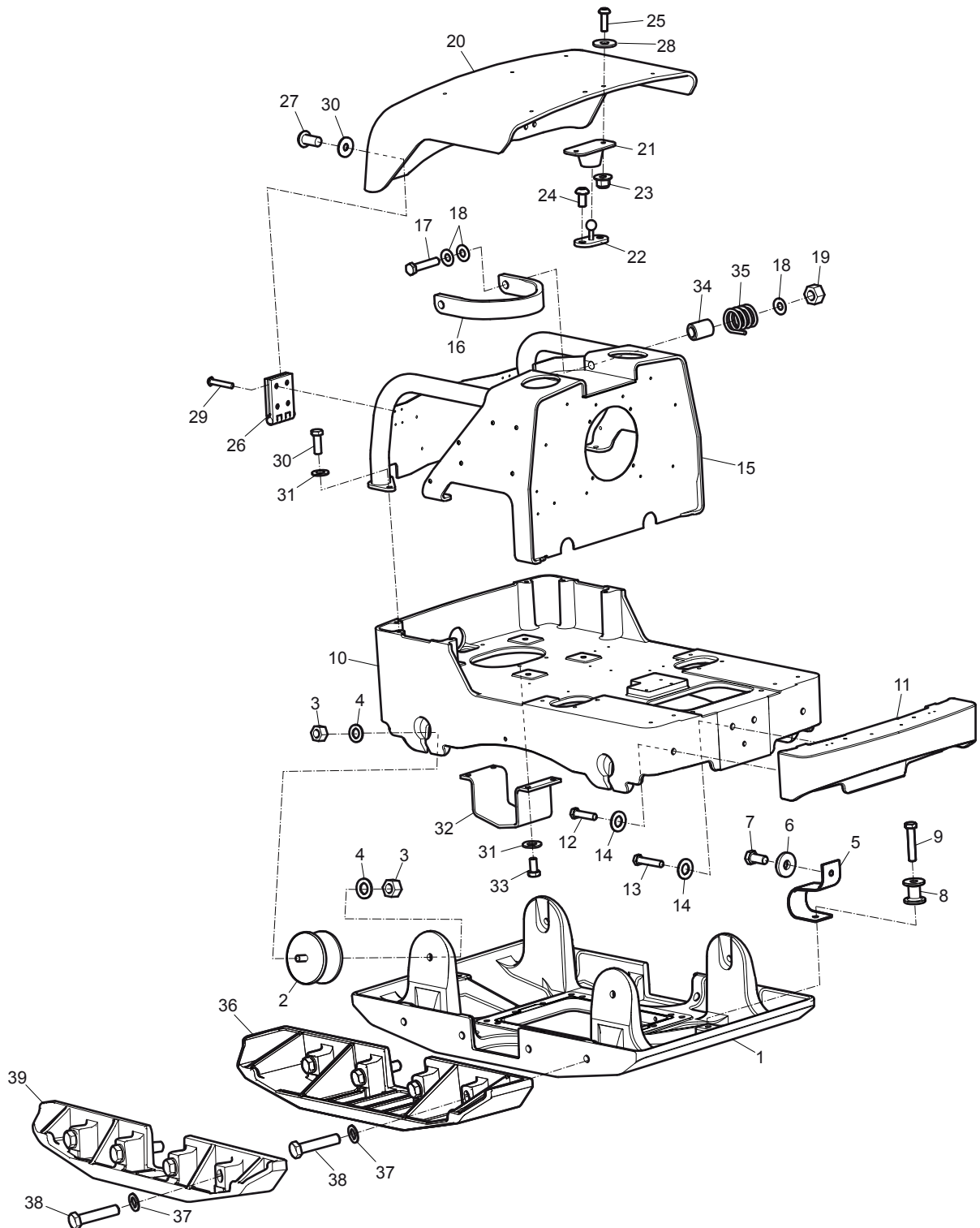
This spare parts list contains no safety regulations and is merely intended to assist in the ordering of spare parts.

For information about operating, servicing, or repairing, the relevant Safety and operating instructions must be consulted at all costs.

Please observe the safety instructions listed in the relevant Safety and operating instructions!

Spare parts list

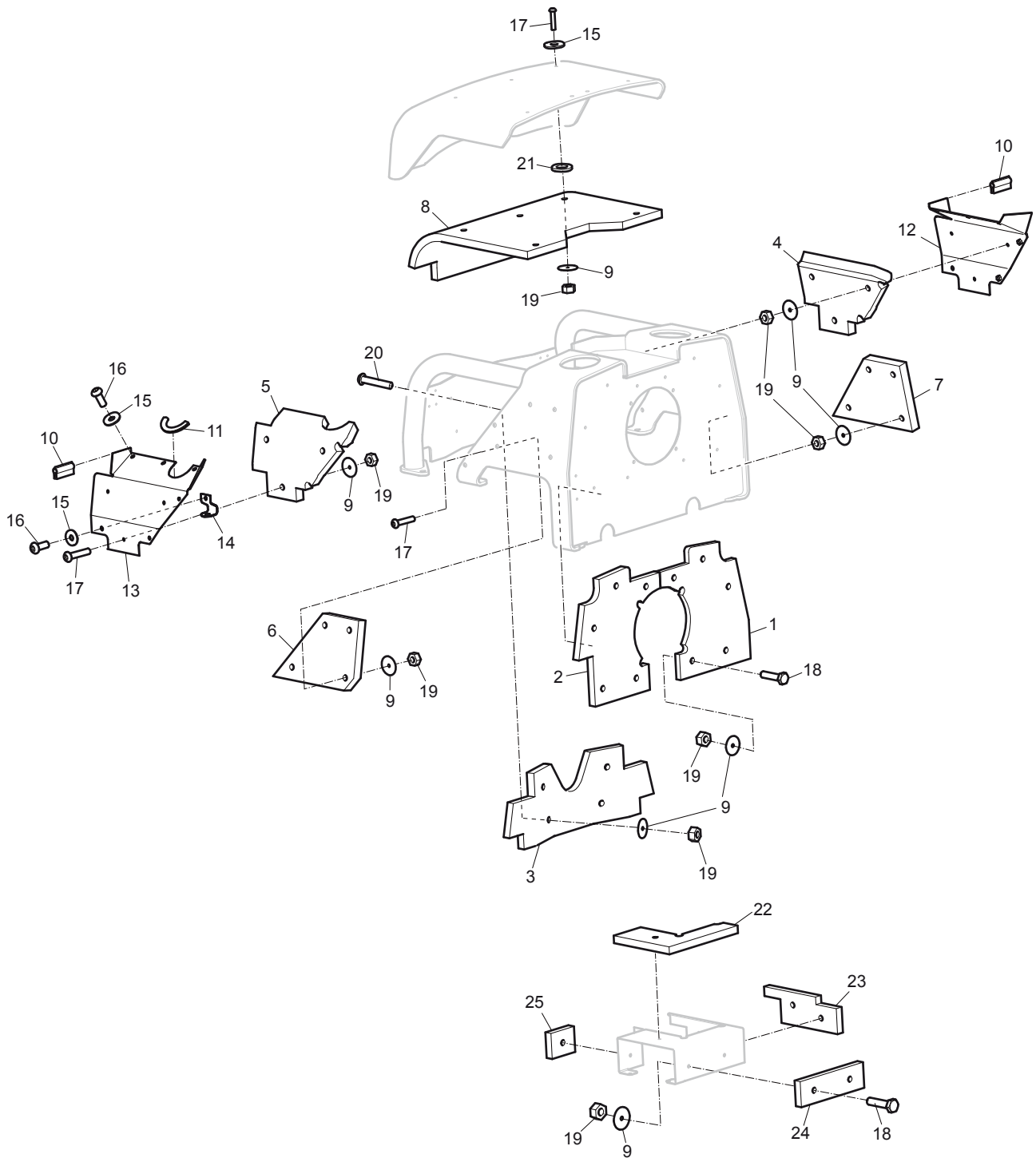
Ground plate, engine plate and frame



| No. | Description | Remark | Quantity | Part number |
|-----|------------------|---|----------|--------------|
| 1 | Ground plate | | 1 | 4700 3866 86 |
| 2 | Shock absorber | | 4 | 4700 2815 90 |
| 3 | Nut | M16 A3K | 8 | 4700 5700 08 |
| 4 | Washer | 17 x 30 x 3 mm 0.70 x 1.18 x 0.12 in. 300 HV | 8 | - |
| 5 | Strap | | 2 | 3382 0107 17 |
| 6 | Washer | 13 x 36 x 6 mm 0.51 x 1.42 x 0.24 in. 300 HV | 2 | - |
| 7 | Screw | M12 x 40 mm 10.9 GEOMET® | 2 | 4700 9476 86 |
| 8 | Sleeve | | 2 | 4700 3818 50 |
| 9 | Screw | M16 x 80 mm 8.8 A3K | 2 | - |
| 10 | Engine plate | | 1 | 3382 0106 81 |
| 11 | Extension | | 1 | 3382 0107 00 |
| 12 | Screw | M12 x 60 mm 8.8 A3K | 2 | - |
| 13 | Screw | M12 x 50 mm 8.8 A3K | 2 | - |
| 14 | Washer | 13 x 24 x 2 mm 0.51 x 0.98 x 0.08 in. 300 HV | 4 | - |
| 15 | Protective frame | | 1 | 3382 0106 89 |
| 16 | Lifting lug | | 1 | 3382 0106 90 |
| 17 | Screw | M12 x 90 mm 8.8 A3K | 2 | - |
| 18 | Washer | 13 x 30 x 4 mm 0.51 x 1.18 x 0.16 in. 300 HV | 6 | - |
| 19 | Nut | M12 ISO7040 | 2 | - |
| 20 | Hood | | 1 | 3382 0106 91 |
| 21 | Hood bumper | | 1 | 4700 4500 66 |
| 22 | Hood bumper | | 1 | 4700 7911 69 |
| 23 | Nut | M5 A2K | 2 | - |
| 24 | Screw | M5 x 10 mm A2-70 | 2 | - |
| 25 | Screw | M5 x 16 mm A2-70 | 2 | - |
| 26 | Hinge | | 2 | 4700 3818 82 |
| 27 | Screw | M8 x 50 mm 12.9 UNBRAKO® U-130 | 8 | 4700 9046 50 |
| 28 | Washer | 6 x 18 x 2 mm 0.24 x 0.71 x 0.08 in. 300 HV | 10 | - |
| 29 | Screw | M6 x 16 mm A2-70 | 8 | - |
| 30 | Screw | M10 x 30 mm 10.9 GEOMET® | 8 | 4700 9476 83 |
| 31 | Washer | 10.5 x 22 x 2 mm 0.41 x 0.87 x 0.08 in. 300 HV | 12 | - |
| 32 | Bracket | | 1 | 4700 2843 14 |
| 33 | Screw | M10 x 20 mm 8.8 A3K | 4 | - |
| 34 | Spacer | | 2 | 4700 3940 99 |
| 35 | Spring | | 2 | 4700 3956 89 |
| 36 | Extension plate | 150 mm 5.91 in. | 2 | 4700 3820 77 |
| 37 | Washer | 21 x 36 x 3 mm 0.83 x 1.42 x 0.24 in. 300 HV | 8 | - |
| 38 | Screw | M20 x 90 mm 10.9 GEOMET® | 8 | 4700 9252 08 |
| 39 | Extension plate | 75 mm 2.95 in. | 2 | 3382 0107 11 |

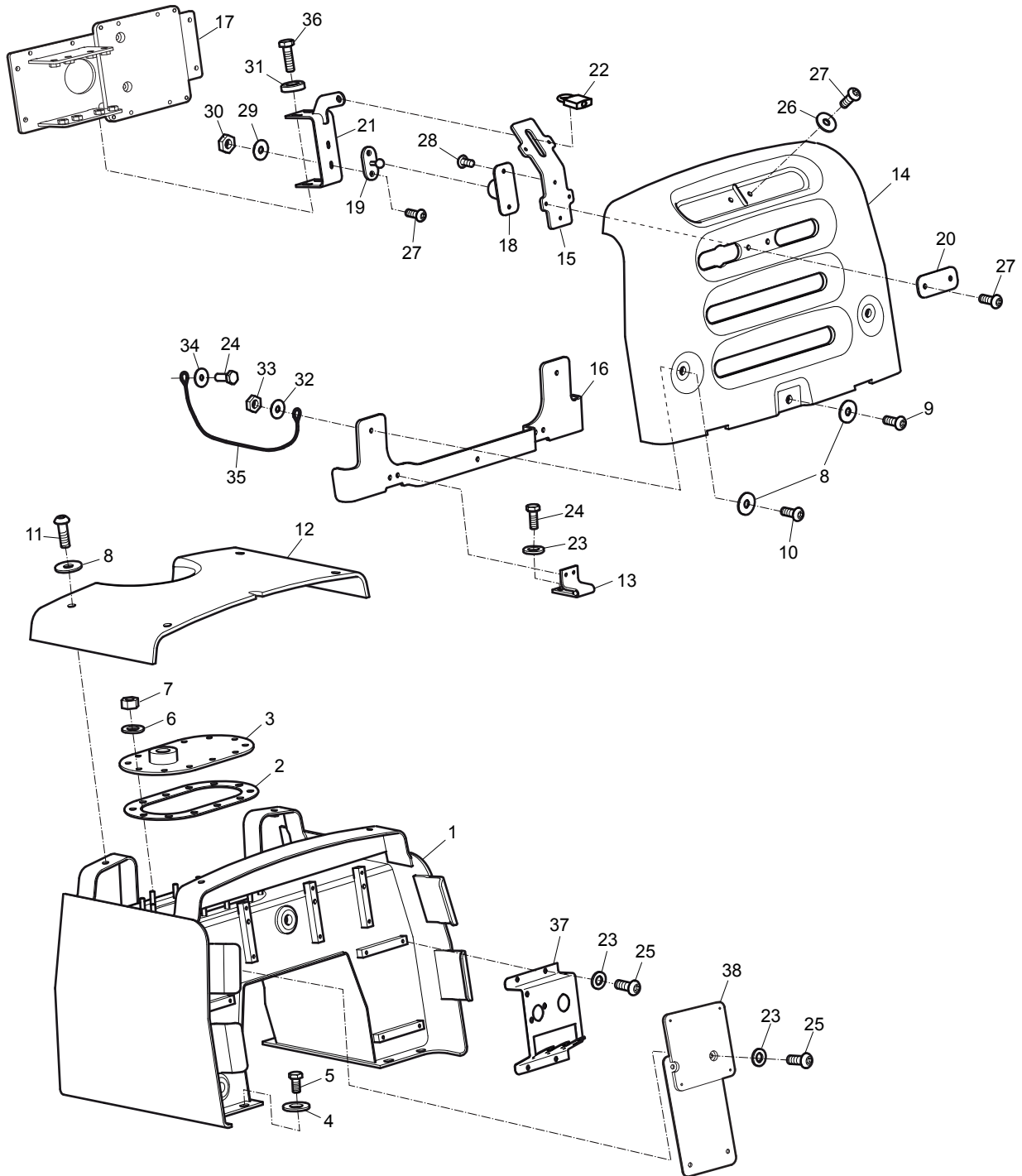
GEOMET is a registered trademark of Nof Metal Coatings North America Inc.
UNBRAKO is a registered trademark of Deepak Fasteners (Shannon) Limited.

Noise suppression



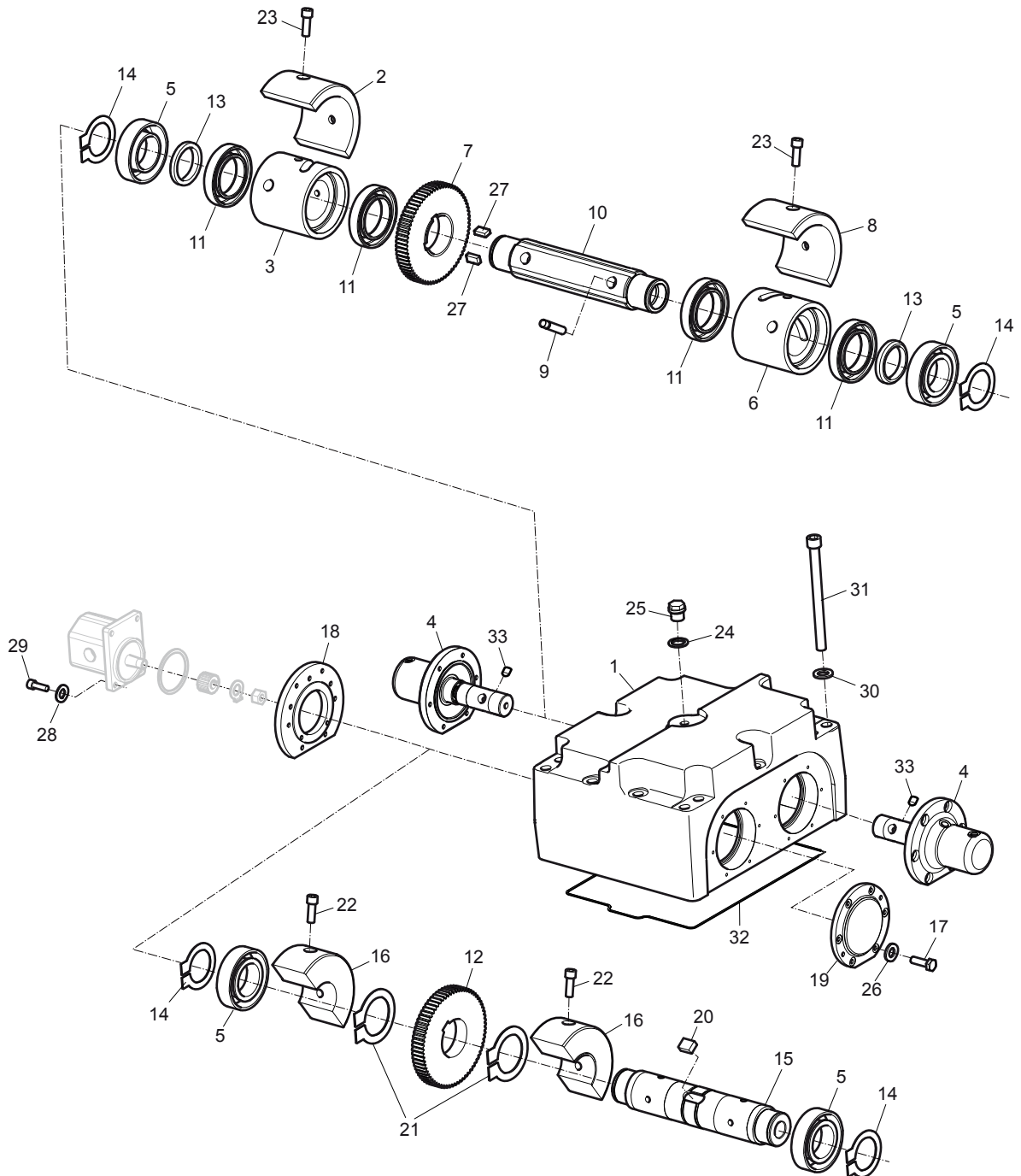
| No. | Description | Remark | Quantity | Part number |
|-----|-------------------|--|----------|--------------|
| 1 | Insulation | | 1 | 4700 3833 80 |
| 2 | Insulation | | 1 | 4700 3833 79 |
| 3 | Insulation | | 1 | 4700 3833 85 |
| 4 | Insulation | | 1 | 4700 3833 83 |
| 5 | Insulation | | 1 | 4700 3833 84 |
| 6 | Insulation | | 1 | 4700 3833 81 |
| 7 | Insulation | | 1 | 4700 3833 82 |
| 8 | Insulation | | 1 | 4700 3833 98 |
| 9 | Insulating washer | 40 mm 1.57 in. | 39 | 4700 3734 76 |
| 10 | Edge trim | 65 mm 2.56 in. | 2 | 4700 9040 76 |
| 11 | Edge trim | 100 mm 3.94 in. | 1 | 4700 2020 28 |
| 12 | Plate | | 1 | 3382 0106 93 |
| 13 | Plate | | 1 | 3382 0106 92 |
| 14 | Bracket | | 2 | 4700 3829 11 |
| 15 | Washer | 6 x 18 x 2 mm 0.24 x 0.71 x 0.08 in. 300 HV | 15 | - |
| 16 | Screw | M6 x 16 mm A2-70 | 8 | - |
| 17 | Screw | M6 x 30 mm A2-70 | 23 | - |
| 18 | Screw | M6 x 25 mm 8.8 A2K | 16 | - |
| 19 | Nut | M6 A2K | 39 | - |
| 20 | Screw | M6 x 25 mm A2-70 | 4 | - |
| 21 | Washer | 6.4 x 12 x 1.5 mm 0.25 x 0.47 x 0.06 in. 300 HV | 5 | - |
| 22 | Insulation | Mounted on the air inlet | 1 | 4700 3815 46 |
| 23 | Insulation | Mounted on the air inlet | 1 | 4700 3815 45 |
| 24 | Insulation | Mounted on the air inlet | 1 | 4700 3815 44 |
| 25 | Insulation | Mounted on the air inlet | 1 | 4700 3815 43 |

Hydraulic oil tank



| No. | Description | Remark | Quantity | Part number |
|-----|--------------------|--|----------|--------------|
| 1 | Hydraulic oil tank | | 1 | 3382 0106 97 |
| 2 | Gasket | | 1 | 4700 2841 53 |
| 3 | Cover | | 1 | 3382 0106 98 |
| 4 | Washer | 10.5 x 22 x 2 mm 0.41 x 0.87 x 0.08 in. 300 HV | 8 | - |
| 5 | Screw | M10 x 20 mm 8.8 A3K | 8 | - |
| 6 | Washer | 8.4 x 16 x 1.5 mm 0.33 x 0.63 x 0.06 in. 300 HV | 12 | - |
| 7 | Nut | M8 A2K | 12 | - |
| 8 | Washer | 8.4 x 25 x 2 mm 0.33 x 0.99 x 0.08 in. 300 HV | 7 | - |
| 9 | Screw | M8 x 25 mm A2-70 | 1 | - |
| 10 | Screw | M8 x 16 mm A2-70 | 1 | - |
| 11 | Screw | M8 x 20 mm A2-70 | 4 | - |
| 12 | Cover | | 1 | 3382 0111 05 |
| 13 | Hinge | | 2 | 4700 3829 02 |
| 14 | Hood | | 1 | 3382 0107 01 |
| 15 | Bracket | | 1 | 4700 3827 38 |
| 16 | Bracket | | 1 | 4700 3827 12 |
| 17 | Bracket | | 1 | 3382 0111 06 |
| 18 | Hood bumper | | 1 | 4700 4500 66 |
| 19 | Hood bumper | | 1 | 4700 7911 69 |
| 20 | Plate | | 1 | 4700 3827 28 |
| 21 | Bracket | | 1 | 4700 3827 30 |
| 22 | Pad lock | | 1 | 4700 3588 81 |
| 23 | Washer | 6.4 x 12 x 1.5 mm 0.25 x 0.47 x 0.06 in. 300 HV | 22 | - |
| 24 | Screw | M5 x 40 mm 8.8 A2K | 9 | - |
| 25 | Screw | M6 x 16 mm A2-70 | 14 | - |
| 26 | Screw | 6 x 18 x 2 mm 0.24 x 0.71 x 0.08 in. 300 HV | 2 | - |
| 27 | Screw | M5 x 16 mm A2-70 | 6 | - |
| 28 | Screw | M5 x 10 mm A2-70 | 2 | - |
| 29 | Washer | 5.3 x 10 x 1 mm 0.21 x 0.39 x 0.04 in. 300 HV | 2 | - |
| 30 | Nut | M5 A2K | 2 | - |
| 31 | Washer | 6.4 x 12 x 3 mm 0.25 x 0.47 x 0.12 in. | 4 | - |
| 32 | Washer | 8.4 x 25 x 2 mm 0.33 x 0.98 x 0.08 in. | 1 | - |
| 33 | Nut | M8 A2K | 1 | - |
| 34 | Washer | 7 x 25 x 1.5 mm 0.28 x 0.98 x 0.06 in. 300 HV | 1 | - |
| 35 | Wire | | 1 | 4700 3816 19 |
| 36 | Screw | M6 x 20 mm 8.8 A2K | 4 | - |
| 37 | Bracket | | 1 | 4700 3860 38 |
| 38 | Bracket | | 1 | 3382 0111 07 |

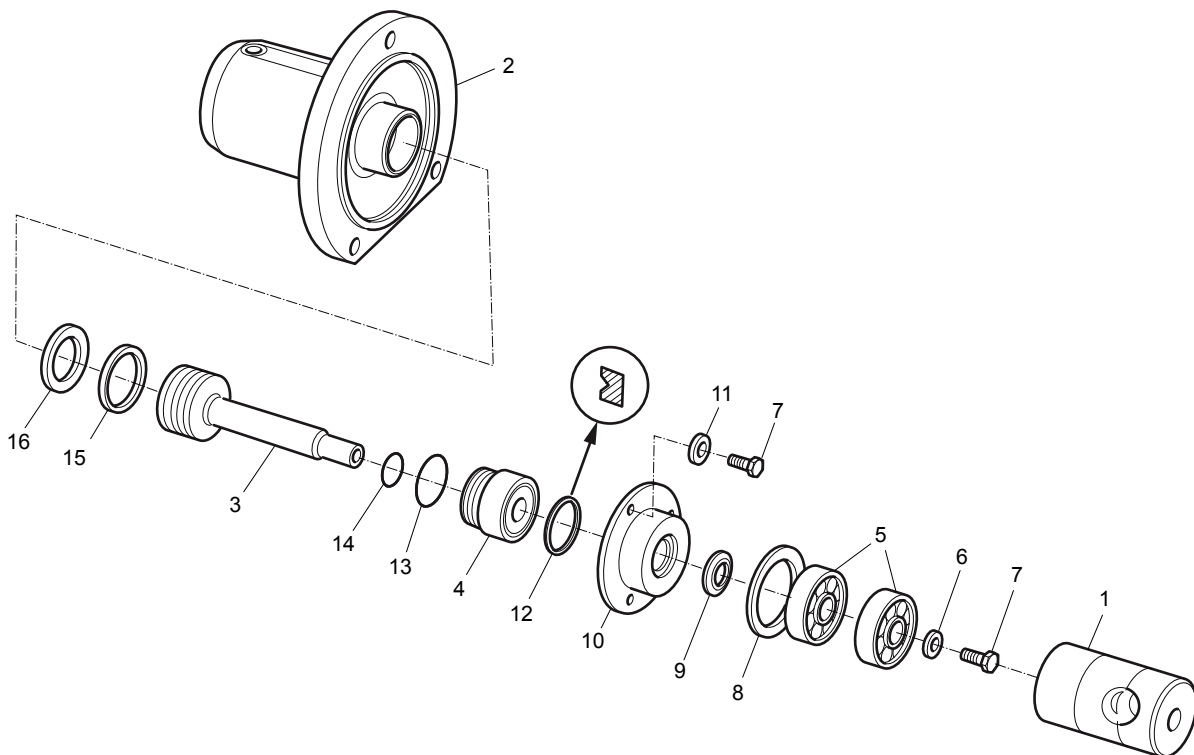
Eccentric element



| No. | Description | Remark | Quantity | Part number |
|-----|--------------------|--|----------|--------------|
| 1 | Eccentric housing | | 1 | 4700 3828 01 |
| 2 | Eccentric weight | | 1 | 4700 3811 94 |
| 3 | Sleeve | | 1 | 4700 3811 95 |
| 4 | Hydraulic cylinder | | 2 | - |
| 5 | Roller bearing | | 4 | 4700 9005 64 |
| 6 | Sleeve | | 1 | 4700 3812 04 |
| 7 | Gear | | 1 | 4700 3818 23 |
| 8 | Eccentric weight | | 1 | 4700 3812 34 |
| 9 | Pin | | 2 | 4700 3812 64 |
| 10 | Shaft | | 1 | 4700 3811 96 |
| 11 | Ball bearing | | 4 | 7400 1112 10 |
| 12 | Gear | | 1 | 4700 2815 43 |
| 13 | Spacer | | 2 | 4700 3811 97 |
| 14 | Snap ring | | 4 | 4700 1500 20 |
| 15 | Shaft | | 1 | 4700 3821 82 |
| 16 | Eccentric weight | | 2 | 4700 2815 42 |
| 17 | Screw | M6 x 20 mm 8.8 A2K | 25 | - |
| 18 | Cover | | 1 | 4700 2839 54 |
| 19 | Cover | | 1 | 4700 2815 41 |
| 20 | Key | | 1 | 4700 2815 44 |
| 21 | Snap ring | | 2 | 4700 1500 25 |
| 22 | Screw | M12 x 50 mm 8.8 A3K | 4 | - |
| 23 | Screw | M12 x 35 mm 8.8 A3K | 4 | - |
| 24 | Washer | 16.7 x 24 x 1.5 mm 0.66 x 0.94 x 0.06 in. TYPE A, M16 | 1 | 4700 1620 11 |
| 25 | Plug | | 1 | 4700 2321 43 |
| 26 | Washer | 6.4 x 12 x 1.5 mm 0.25 x 0.47 x 0.06 in. 300 HV | 25 | 4700 9042 28 |
| 27 | Key | | 2 | 4700 3818 24 |
| 28 | Washer | 8.4 x 16 x 1.5 mm 0.33 x 0.63 x 0.06 in. 300 HV | 4 | 4700 9042 29 |
| 29 | Screw | M8 x 25 mm 8.8 A2K | 4 | - |
| 30 | Washer | 17 x 30 x 3 mm 0.70 x 1.18 x 0.12 in. 300 HV | 14 | 4700 9042 32 |
| 31 | Screw | M16 x 200 mm 10.9 GEOMET® | 14 | 4700 9046 32 |
| 32 | O-ring | | 1 | 4700 9049 23 |
| 33 | Stop screw | M10 x 12 mm | 2 | - |

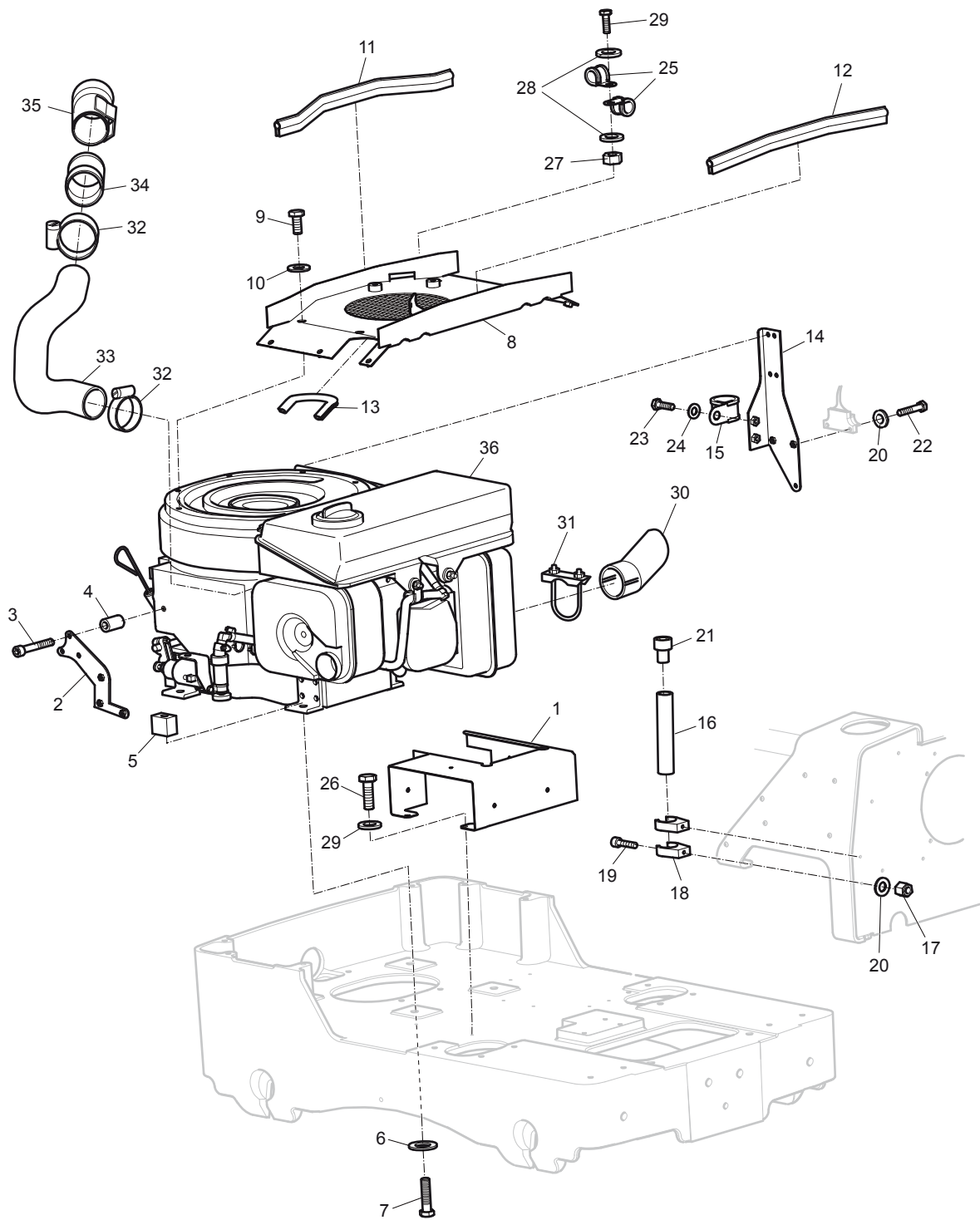
GEOMET is a registered trademark of Nof Metal Coatings North America Inc.

Hydraulic cylinder



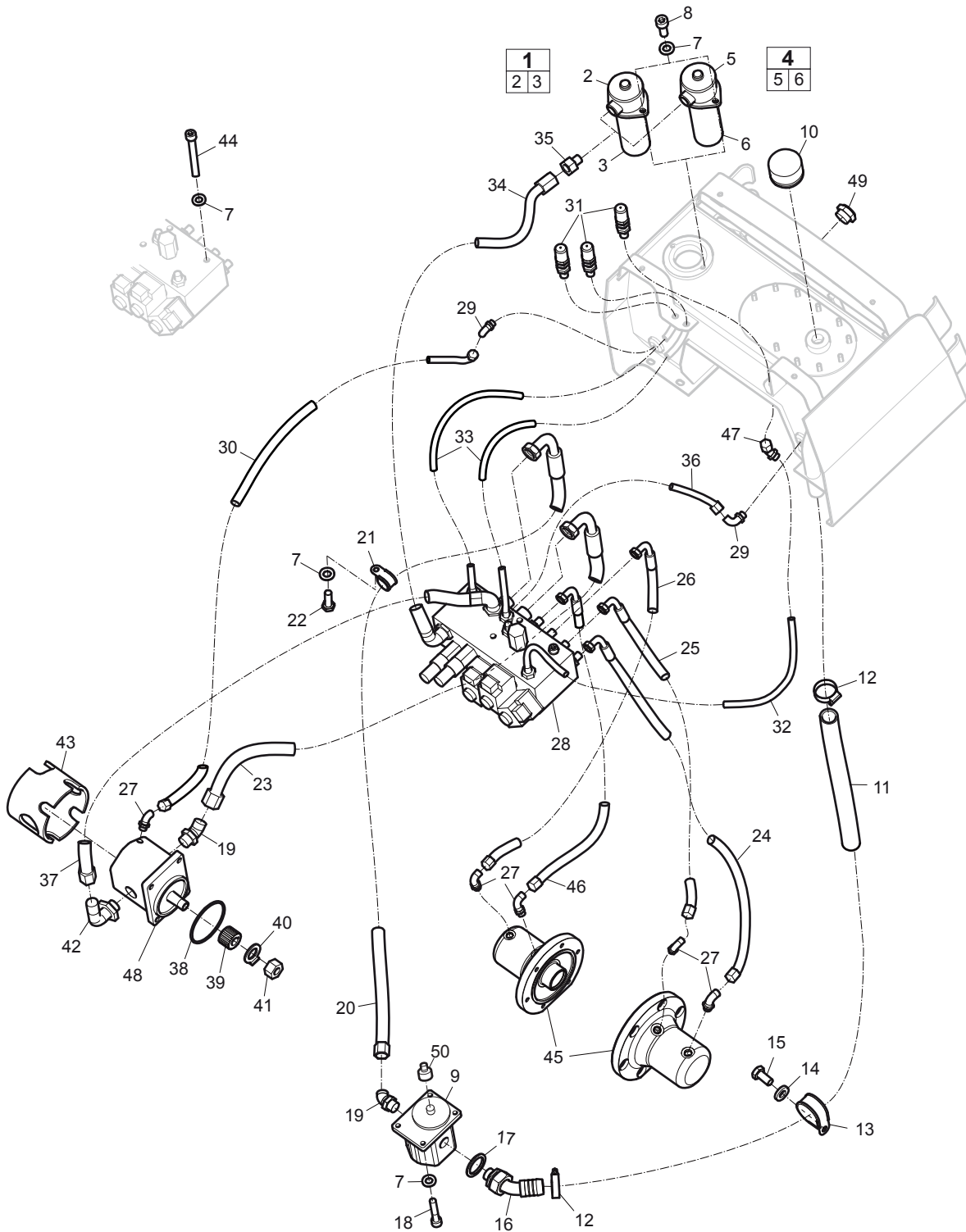
| No. | Description | Remark | Quantity | Part number |
|-----|--------------------|--|----------|--------------|
| 1 | Piston | | 1 | 4700 3811 98 |
| 2 | Hydraulic cylinder | | 1 | 4700 3847 04 |
| 3 | Piston rod | | 1 | 4700 3827 60 |
| 4 | Sleeve | | 1 | 4700 3847 06 |
| 5 | Bearing | | 2 | 4700 7912 58 |
| 6 | Washer | | 1 | 4700 3817 83 |
| 7 | Screw | M6 x 12 mm 8.8 A2K | 4 | - |
| 8 | Retaining ring | | 1 | 4700 1510 08 |
| 9 | Shear wiper | | 1 | 4700 9049 37 |
| 10 | Sleeve | | 1 | 4700 3847 05 |
| 11 | Washer | 6.4 x 12 x 1.5 mm 0.25 x 0.47 x 0.06 in. 300 HV | 3 | - |
| 12 | U-packing | | 1 | 4700 3842 72 |
| 13 | O-ring | 26.2 x 3 mm 1.03 x 1.12 in. (70 Shore) | 1 | 4700 1600 09 |
| 14 | Guide ring | | 1 | 4700 3842 73 |
| 15 | Guide ring | | 1 | 4700 3842 70 |
| 16 | Piston seal | | 1 | 4700 3842 71 |

Engine installation



| No. | Description | Remark | Quantity | Part number |
|-----|--------------|--|----------|--------------|
| 1 | Air inlet | | 1 | 4700 3830 26 |
| 2 | Bracket | | 1 | 4700 3830 21 |
| 3 | Screw | Supplied with engine | 1 | - |
| 4 | Screw | Supplied with engine | 1 | - |
| 5 | Spacer | | 4 | 4700 2840 99 |
| 6 | Washer | 13 x 24 x 2 mm 0.51 x 0.94 x 0.08 in. 300 HV | 4 | - |
| 7 | Screw | M12 x 50 mm 8.8 A3K | 4 | - |
| 8 | Cover | | 1 | 4700 3852 50 |
| 9 | Screw | M10 x 16 mm 8.8 A3K | 8 | - |
| 10 | Washer | 10.5 x 22 x 2 mm 0.41 x 0.87 x 0.08 in. 300 HV | 8 | - |
| 11 | Edge trim | 480 mm 18.19 in. | 1 | 4700 9040 76 |
| 12 | Edge trim | 480 mm 18.19 in. | 1 | 4700 9040 76 |
| 13 | Edge trim | 140 mm 5.51 in. | 1 | 4700 2020 28 |
| 14 | Bracket | | 1 | 4700 3838 49 |
| 15 | Clamp | | 1 | 4700 9211 16 |
| 16 | Hose | | 1 | 4700 2440 59 |
| 17 | Nut | M5 ISO7040 | 2 | - |
| 18 | Ryw-clip | | 2 | 4700 2811 16 |
| 19 | Screw | M5 x 20 mm 8.8 A2K | 2 | - |
| 20 | Washer | 5.3 x 10 x 1 mm 0.21 x 0.39 x 0.04 in. 300 HV | 4 | - |
| 21 | Oil drain | | 1 | 4700 2818 52 |
| 22 | Screw | M5 x 25 mm 8.8 A2K | 2 | - |
| 23 | Screw | M8 x 25 mm 8.8 A2K | 2 | - |
| 24 | Washer | 8.4 x 16 x 1.5 mm 0.33 x 0.63 x 0.06 in. 300 HV | 2 | - |
| 25 | Clamp | | 2 | 4700 9210 39 |
| 26 | Screw | M6 x 16 mm 8.8 A2K | 4 | - |
| 27 | Nut | M6 A2K | 1 | - |
| 28 | Washer | 6.4 x 12 x 1.5 mm 0.25 x 0.47 x 0.06 in. 300 HV | 6 | - |
| 29 | Screw | M6 x 20 mm 8.8 A2K | 1 | - |
| 30 | Exhaust pipe | | 1 | 4700 3831 17 |
| 31 | Clamp | | 1 | 4700 3131 00 |
| 32 | Hose clamp | | 2 | 4700 3130 10 |
| 33 | Air hose | | 1 | 4700 9049 53 |
| 34 | Steel tube | | 1 | 4700 3833 12 |
| 35 | Cyclone | | 1 | 4700 9383 10 |
| 36 | Engine | Hatz 1D90V | 1 | 4700 3790 96 |

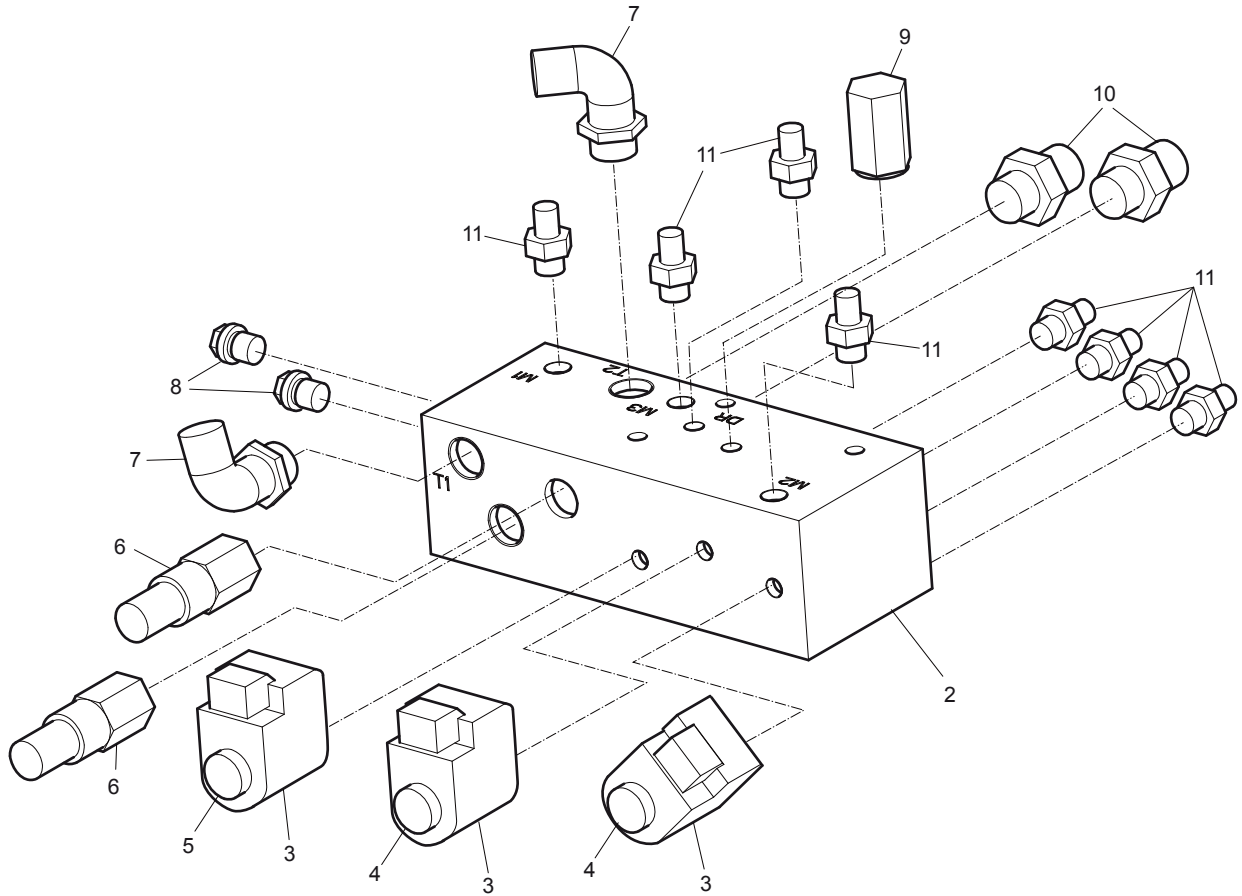
Hydraulic system



| No. | Description | Remark | Quantity | Part number |
|--------|---------------------------------------|--|----------|--------------|
| 1(2-3) | Hydraulic oil filter, complete | For standard hydraulic oil. | 1 | 4700 2841 79 |
| 2 | Housing | | 1 | - |
| 3 | Filter element | | 1 | 4700 3815 52 |
| 4(5-6) | Hydraulic oil filter, complete | For biogradable hydraulic oil. | 1 | 4700 3815 51 |
| 5 | Housing | | 1 | - |
| 6 | Filter element | | 1 | 4700 3815 53 |
| 7 | Washer | 8.4 x 16 x 1.5 mm 0.33 x 0.63 x 0.06 in. 300 HV | 9 | - |
| 8 | Screw | M8 x 20 mm 8.8 A2K | 2 | - |
| 9 | Hydraulic pump | | 1 | 4700 3806 46 |
| 10 | Air breather | | 1 | 4700 3831 94 |
| 11 | Hydraulic hose | | 1 | 4700 3809 27 |
| 12 | Hose clamp | | 2 | 4700 3130 07 |
| 13 | Pipe clamp | | 1 | 4700 9211 19 |
| 14 | Washer | 10.5 x 22 x 4 mm 0.41 x 0.87 x 0.16 in. 300 HV | 1 | - |
| 15 | Screw | M10 x 20 mm 8.8 A3K | 1 | - |
| 16 | Adapter | | 1 | 4700 3809 41 |
| 17 | Seal ring | | 1 | 4700 1620 28 |
| 18 | Screw | M8 x 45 mm 8.8 A2K | 4 | - |
| 19 | Adapter | | 2 | 4700 9047 44 |
| 20 | Hydraulic hose | | 1 | 4700 4827 34 |
| 21 | Clamp | | 1 | 4700 9607 27 |
| 22 | Screw | M8 x 25 mm 8.8 A2K | 1 | - |
| 23 | Hydraulic hose | | 1 | 4700 4835 10 |
| 24 | Hydraulic hose | | 1 | 4700 4824 08 |
| 25 | Hydraulic hose | | 1 | 4700 4835 11 |
| 26 | Hydraulic hose | | 1 | 4700 4821 00 |
| 27 | Elbow | 90° 1.57 rad | 5 | 4700 3342 03 |
| 28 | Hydraulic block complete | | 1 | 4700 3962 47 |
| 29 | Connector | | 2 | 4700 2344 81 |
| 30 | Hydraulic hose | | 1 | 4700 3803 84 |
| 31 | Measuring nipple | | 3 | 4700 3563 48 |
| 32 | Hydraulic hose | | 1 | 4700 4826 51 |
| 33 | Hydraulic hose | | 2 | 4700 4835 19 |
| 34 | Hydraulic hose | | 1 | 4700 4835 18 |
| 35 | Adapter | | 1 | 4700 3342 15 |
| 36 | Hydraulic hose | | 1 | 4700 4827 10 |
| 37 | Hydraulic hose | | 1 | 4700 4835 49 |
| 38 | O-ring | | 1 | 4700 1600 31 |
| 39 | Splined sleeve | | 1 | 4700 2841 13 |
| 40 | Washer | | 1 | - |
| 41 | Nut | | 1 | - |
| 42 | Elbow adapter | | 1 | 4700 2344 80 |
| 43 | Protector | | 1 | 4700 3809 45 |
| 44 | Screw | M8 x 90 mm 8.8 A2K | 1 | - |
| 45 | Hydraulic cylinder | | 2 | - |
| 46 | Hydraulic hose | | 1 | 3382 0107 13 |
| 47 | Elbow | 45° 0.79 rad | 1 | 4700 2346 22 |
| 48 | Hydraulic pump | | 1 | 4700 3806 47 |
| 49 | Sight plug | | 1 | 4700 4991 27 |
| 50 | Splined sleeve | | 1 | 4700 9391 58 |

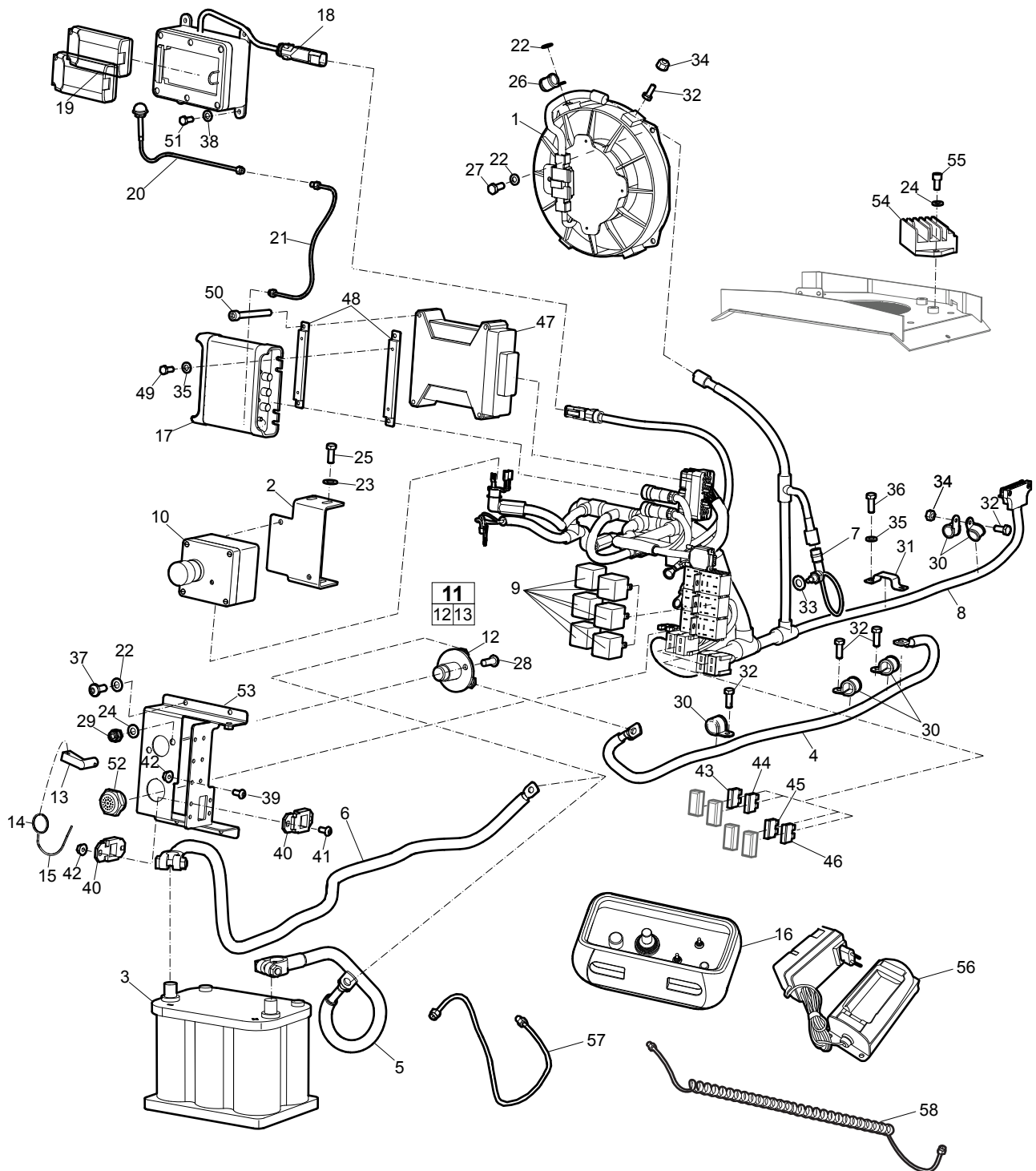
Hydraulic block

| | | | | | | | | | | | |
|---|---|---|---|---|---|---|---|----|----|--|--|
| | | | | | | 1 | | | | | |
| 2 | 3 | 4 | 5 | 6 | 7 | 8 | 9 | 10 | 11 | | |



| No. | Description | Remark | Quantity | Part number |
|---------|---------------------------|--------|----------|--------------|
| 1(2-11) | Hydraulic block, complete | | 1 | 4700 3962 47 |
| 2 | Block | | 1 | - |
| 3 | Electromagnet | | 3 | 4700 9502 19 |
| 4 | Valve | | 2 | 4700 9382 33 |
| 5 | Valve | | 1 | 4700 9382 35 |
| 6 | Pressure limit valve | | 2 | 4700 9382 36 |
| 7 | Elbow | | 2 | 4700 2349 93 |
| 8 | Plug | | 2 | 4700 3320 38 |
| 9 | Pressure reducing valve | | 1 | 4700 9382 34 |
| 10 | Straight o-ring connector | | 2 | 4700 3341 16 |
| 11 | Connector | | 8 | 4700 3341 44 |

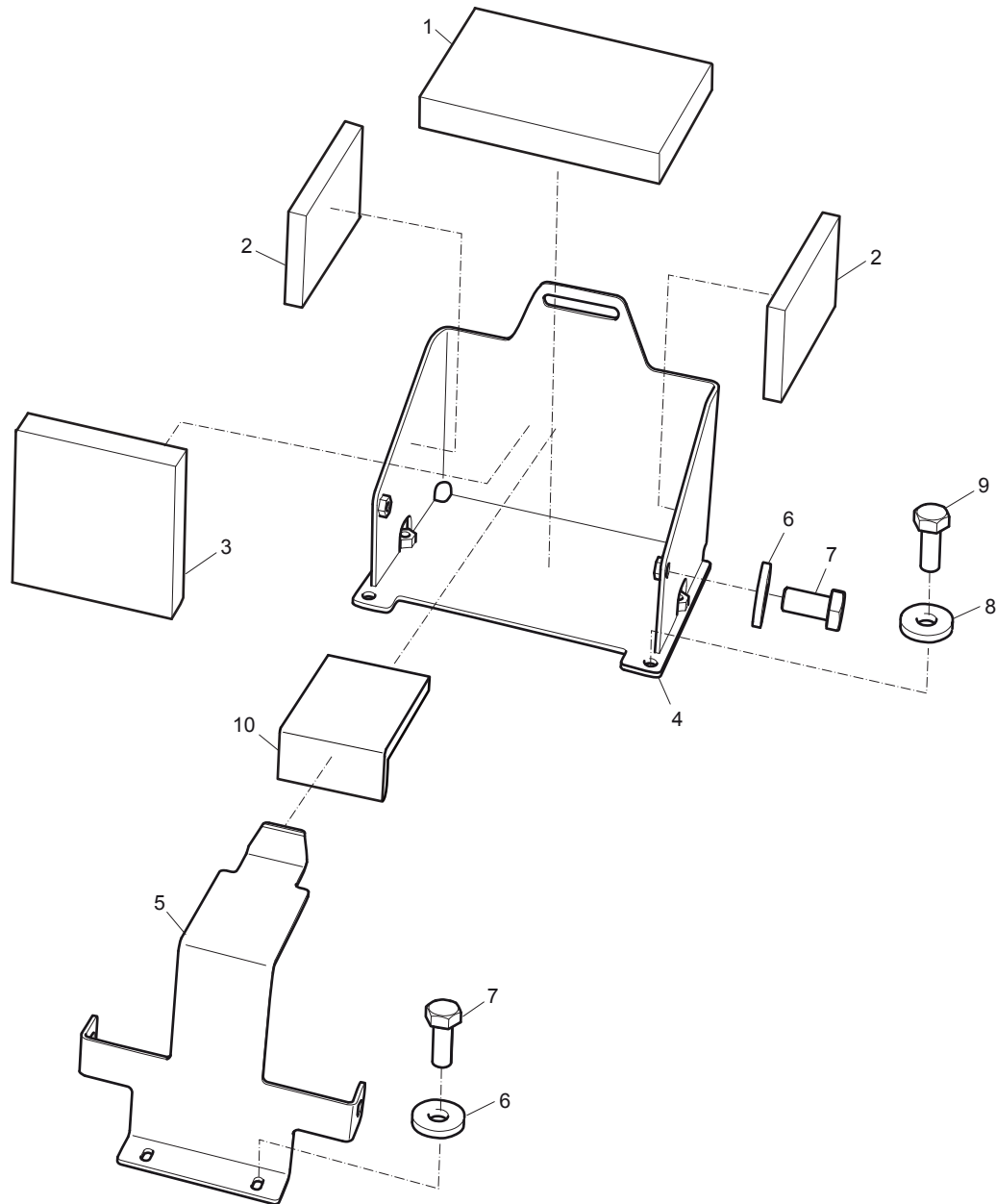
Electrical equipment



| No. | Description | Remark | Quantity | Part number |
|------------------|---------------------------------|---|----------|--------------|
| 1 | Fan | | 1 | 4700 3862 87 |
| 2 | Bracket | | 1 | 4700 3828 56 |
| 3 | Battery | | 1 | 4700 3946 43 |
| 4 | Connection cable | | 1 | 4700 3832 91 |
| 5 | Battery cable | + | 1 | 4700 7926 14 |
| 6 | Battery cable | - | 1 | 4700 7926 15 |
| 7 | Temperature sensor | Hydraulic oil | 1 | 4700 3832 45 |
| 8 | Cable harness | | 1 | 3382 0111 13 |
| 9 | Relay | | 6 | 4700 9039 56 |
| 10 | Emergency stop | See section "Emergency stop" | 1 | 1010 1010 10 |
| 11(12-13) | Battery switch, complete | | 1 | 4700 3575 67 |
| 12 | Socket | | 1 | - |
| 13 | Handle | | 1 | 4700 9025 60 |
| 14 | Key ring | | 1 | 4700 3582 54 |
| 15 | Wire | | 1 | 4700 3760 08 |
| 16 | Transmitter | | 1 | 3382 0111 11 |
| 17 | Receiver | | 1 | 3382 0116 77 |
| 18 | Battery charger | For transmitter battery | 1 | 4812 0704 14 |
| 19 | Transmitter battery | | 2 | 4812 0704 04 |
| 20 | Antenna | | 1 | 4812 0704 03 |
| 21 | Cable | | 1 | 4812 0704 77 |
| 22 | Washer | 6.4 x 12 x 1.5 mm 0.25 x 0.47 x 0.06 in. 300 HV | 9 | - |
| 23 | Washer | 6.4 x 12 x 3 mm 0.25 x 0.47 x 0.12 in. | 4 | 4700 6030 10 |
| 24 | Washer | 8.4 x 16 x 1.5 mm 0.33 x 0.63 x 0.06 in. 300 HV | 4 | 4700 9042 29 |
| 25 | Screw | M6 x 16 mm 8.8 A2K | 4 | - |
| 26 | Clamp | | 2 | 4700 9210 39 |
| 27 | Screw | M6 x 20 mm 8.8 A2K | 4 | - |
| 28 | Screw | M8 x 20 mm A2-70 | 2 | - |
| 29 | Nut | M8 | 2 | - |
| 30 | Clamp | | 5 | 4700 9210 31 |
| 31 | Clamp | | 2 | 4700 3842 00 |
| 32 | Screw | M6 x 14 mm 8.8 FZB | 5 | - |
| 33 | Copper washer | 10 x 14 x 1 mm 0.39 x 0.55 x 0.04 in. | 2 | - |
| 34 | Nut | M6 A2K | 2 | - |
| 35 | Washer | 5.3 x 10 x 1 mm 0.21 x 0.39 x 0.04 in. 300 HV | 8 | - |
| 36 | Screw | M5 x 14 mm 8.8 FZB | 4 | - |
| 37 | Screw | M6 x 16 mm A2-70 | 4 | - |
| 38 | Washer | 0.17 x 0.31 x 0.8 mm 0.47 x 0.87 x 0.03 in. 300 HV | 4 | - |
| 39 | Screw | M5 x 10 mm A2-70 | 6 | - |
| 40 | Bracket | | 2 | 4700 9040 36 |
| 41 | Screw | M5 x 14 mm | 4 | - |
| 42 | Nut | M5 | 10 | - |
| 43 | Fuse | 40A | 1 | 4700 7910 42 |
| 44 | Fuse | 30A | 1 | 4700 9012 30 |
| 45 | Fuse | 5A | 1 | 4700 9012 25 |
| 46 | Fuse | 20A | 1 | 4700 9037 41 |
| 47 | Electronic control unit | | 1 | 3382 0111 12 |
| 48 | Bracket | | 2 | 3382 0111 10 |
| 49 | Screw | M5 x 12 mm 8.8 FZB | 4 | - |

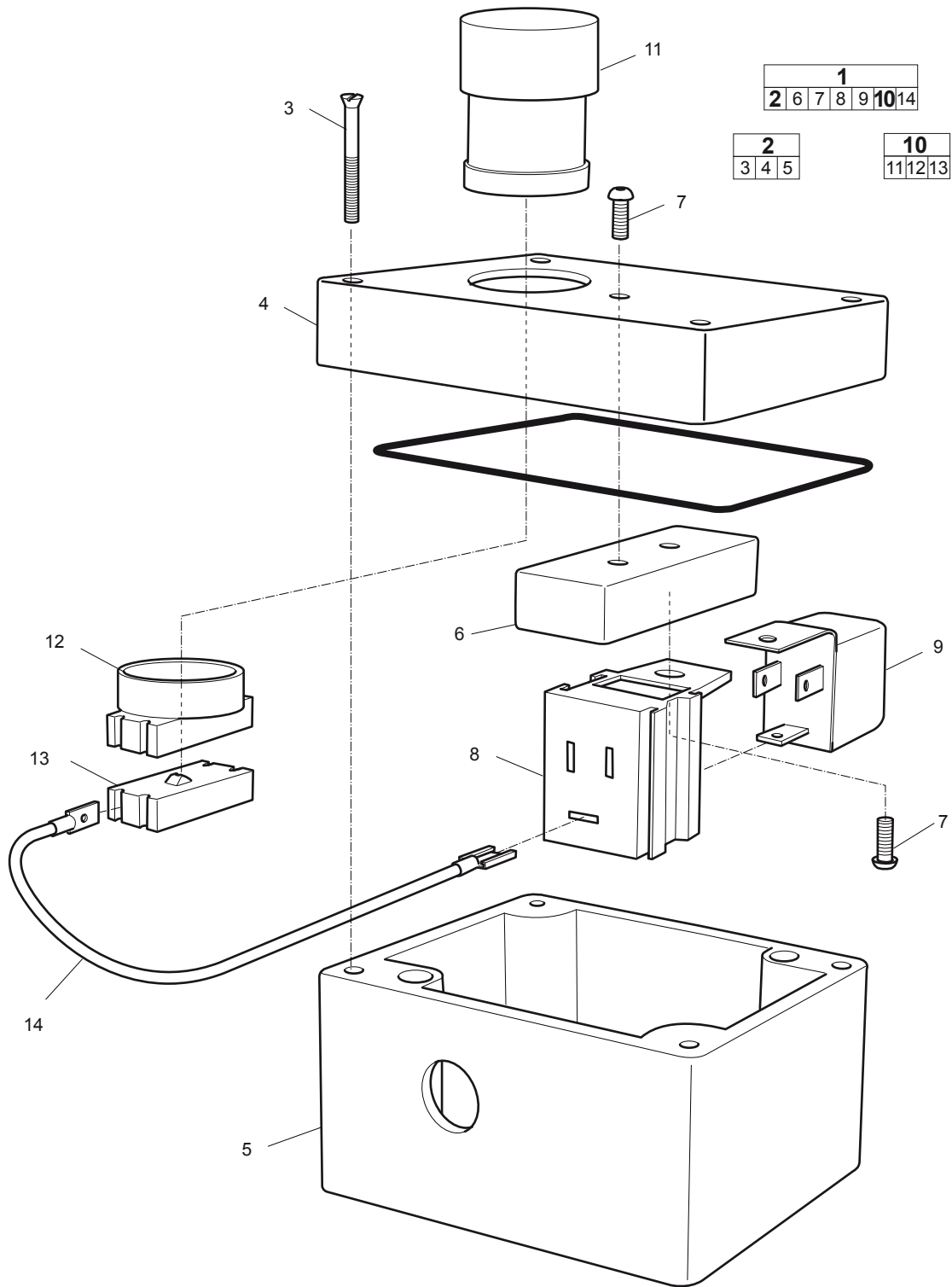
| No. | Description | Remark | Quantity | Part number |
|-----|--------------------------------|--|----------|--------------|
| 50 | Screw | M6 x 55 mm 8.8 A2K | 4 | - |
| 51 | Screw | M4 x 10 mm | 4 | - |
| 52 | Buzzer | | 1 | 4700 3832 93 |
| 53 | Bracket | | 1 | 3382 0111 08 |
| 54 | Charging relay | | 1 | 4700 3861 86 |
| 55 | Screw | M8 x 12 mm | 2 | - |
| 56 | Desktop charger | | 1 | 3382 1000 19 |
| 57 | Radio transmitter cable | Standard | 1 | 4811 0002 54 |
| 58 | Radio transmitter spiral cable | Optional Approximately 3.5 - 4.0 m 11.48 - 13.12 ft. | 1 | 4812 0707 14 |

Battery box



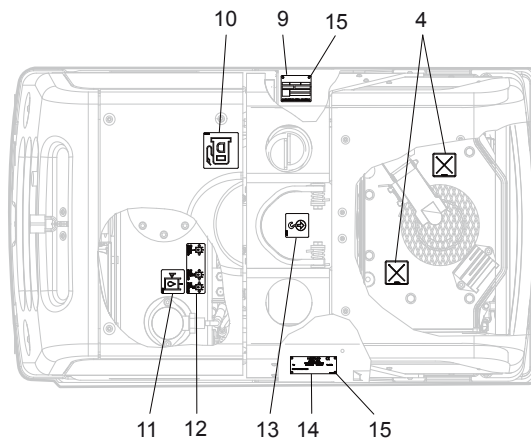
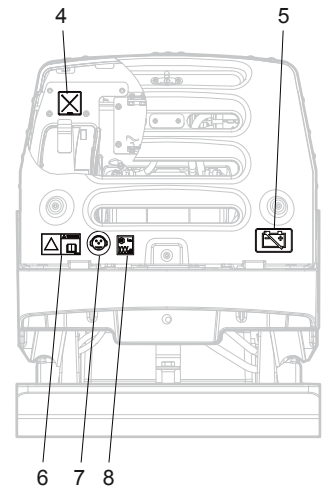
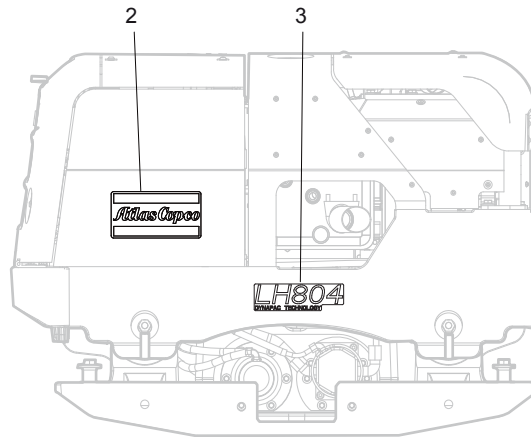
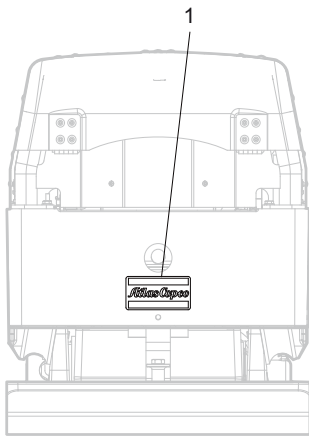
| No. | Description | Remark | Quantity | Part number |
|-----|----------------|---|----------|--------------|
| 1 | Insulation | | 1 | 4700 3790 61 |
| 2 | Insulation | | 2 | 4700 3815 33 |
| 3 | Insulation | | 1 | 4700 3843 19 |
| 4 | Battery box | | 1 | 3382 0107 46 |
| 5 | Battery holder | | 1 | 3382 0107 47 |
| 6 | Washer | 8.4 x 22 x 3 mm 0.33 x 0.87 x 0.12 in. HV300 | 4 | - |
| 7 | Screw | M8 x 18 mm 8.8 A2K | 4 | - |
| 8 | Washer | 10.5 x 22 x 2 mm 0.41 x 0.87 x 0.08 in. 300 HV | 2 | - |
| 9 | Screw | M10 x 20 mm 8.8 A3K | 2 | - |
| 10 | Insulation | | 1 | 4700 3809 48 |

Emergency box



| No. | Description | Remark | Quantity | Part number |
|-----------------------|---------------------------------|----------------------|----------|--------------|
| 1(2,6-9,10,14) | Emergency box, complete | | 1 | 3382 0107 50 |
| 2(3-5) | Box, complete | | 1 | 3382 0107 48 |
| 3 | Screw | | 4 | - |
| 4 | Upper part | | 1 | - |
| 5 | Lower part | | 1 | - |
| 6 | Bracket | | 1 | 4700 3832 51 |
| 7 | Screw | M5 x 10 mm 8.8 A2-70 | 2 | - |
| 8 | Relay holder | | 1 | 4700 3813 89 |
| 9 | Relay | | 1 | 4700 3813 90 |
| 10(11-13) | Emergency stop, complete | | 1 | 4700 2882 73 |
| 11 | Push button | | 1 | 4700 9257 12 |
| 12 | Connector | | 1 | 4700 9038 76 |
| 13 | Contact piece | | 1 | 4700 9301 54 |
| 14 | Cable | | 1 | 4700 3832 94 |

Labels



| No. | Description | Remark | Quantity | Part number |
|-----|--------------------------|------------------------|----------|--------------|
| 1 | Product label | "Atlas Copco" | 1 | 3382 0101 75 |
| 2 | Product label | "Atlas Copco" | 2 | 3382 0100 22 |
| 3 | Product label | "LH 804" | 2 | 3382 0111 16 |
| 4 | Safety label | Engine wash prohibited | 3 | 4700 3889 66 |
| 5 | Label | Master switch | 1 | 4700 9048 35 |
| 6 | Safety label | Instruction manual | 1 | 4700 9046 80 |
| 7 | Label | Use ear protectors | 1 | 4700 2818 98 |
| 8 | Noise level label | | 1 | 4700 7912 97 |
| 9 | Engine information label | | 1 | - |
| 10 | Label | Diesel | 1 | 4700 9916 58 |
| 11 | Label | Hydraulic oil | 1 | 4700 2723 73 |
| 12 | Label | Pressure measure | 1 | 4700 3852 76 |
| 13 | Lifting point label | | 1 | 4700 3575 87 |
| 14 | Data plate | | 1 | - |
| 15 | Drive screw | | 8 | - |

Kits

One year service kit

One year service kit

Part number 3382 1000 72

| Description | Remark | Quantity | Part number |
|-------------|-----------------------|----------|--------------|
| Air filter | | 5 | 4700 2394 23 |
| Fuel filter | | 5 | 4700 9374 30 |
| Gasket | For valve cover. | 1 | 4700 2393 33 |
| O-ring | For oil filter cover. | 1 | 4700 2393 35 |
| O-ring | For oil filter plug. | 1 | 4700 9454 25 |
| Oil filter | | 5 | 4700 2393 26 |

Shock absorber repair kit

| Description | Remark | Quantity | Part number |
|----------------------------------|--|----------|--------------|
| Shock absorber repair kit | | 1 | 3382 1000 73 |
| Shock absorber | For ground plate. See section "Ground plate, engine plate and frame". | 4 | 4700 2815 90 |
| Nut | M16 A3K See section "Ground plate, engine plate and frame". | 8 | - |
| Washer | 17 x 30 x 3 mm 0.70 x 1.18 x 0.12 in. 300 HV See section "Ground plate, engine plate and frame". | 8 | - |

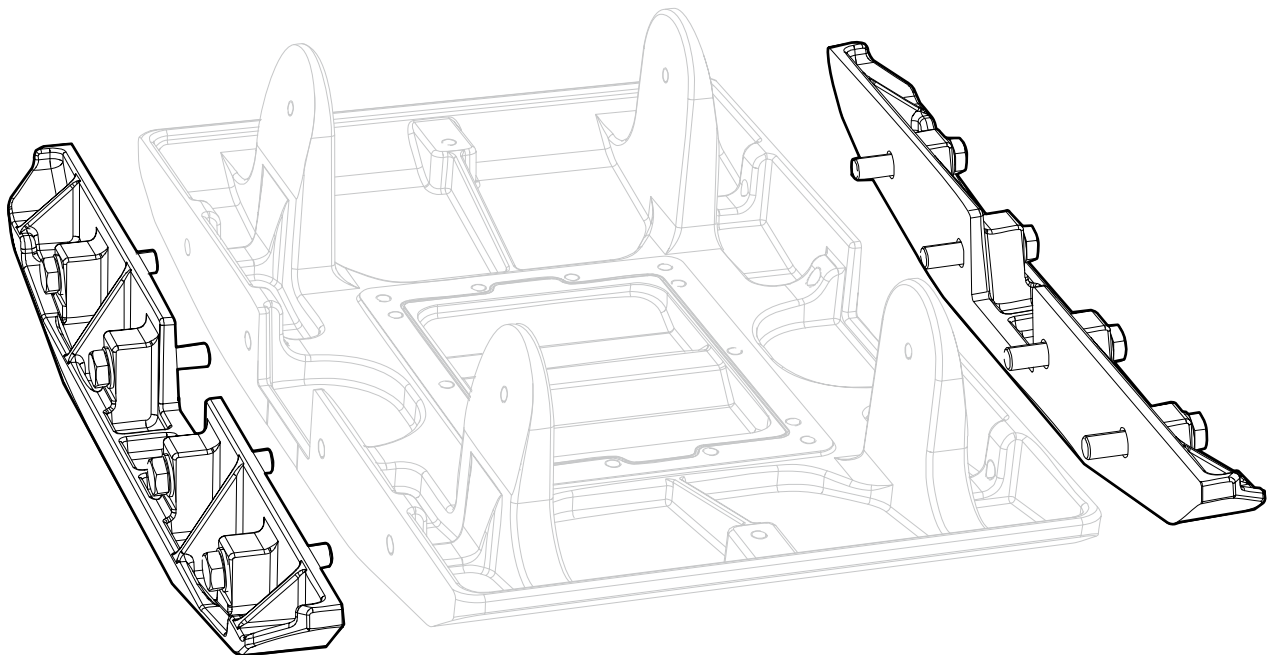
Eccentric element repair kit

| Description | Remark | Quantity | Part number |
|-------------------------------------|---|----------|--------------|
| Eccentric element repair kit | | 1 | 4812 1554 75 |
| Roller bearing | See section "Eccentric element". | 4 | 4700 9005 64 |
| Ball bearing | See section "Eccentric element". | 4 | 4700 1112 10 |
| O-ring | See section "Eccentric element". | 1 | - |
| O-ring | See section "Eccentric element". | 1 | - |
| Washer sealing | 16.7 x 24 x 1.5 mm 0.66 x 0.94 x 0.06 in. TYPE A,M16 | 1 | - |
| Screw | M6 x 20 mm 8.8 A2K | 20 | - |
| Washer | 6.4 x 12 x 1.5 mm 0.25 x 0.47 x 0.06 in. 300 HV | 20 | - |
| Screw | M8 x 25 mm 8.8 A2K | 4 | - |
| Washer | 8.4 x 16 x 1.5 mm 0.33 x 0.63 x 0.06 in. 300 HV | 4 | - |

Forward and reverse piston repair kit

| Description | Remark | Quantity | Part number |
|--|-----------------------------------|----------|--------------|
| Forward and reverse piston repair kit | | 2 | 4812 1555 71 |
| Piston | See section "Hydraulic cylinder". | 1 | 4700 3811 98 |
| Sleeve | See section "Hydraulic cylinder". | 1 | 4700 3847 06 |
| Bearing | See section "Hydraulic cylinder". | 2 | 4700 7912 58 |
| Shear wiper | See section "Hydraulic cylinder". | 1 | 4700 9049 37 |
| U-packing | See section "Hydraulic cylinder". | 1 | 4700 3842 72 |
| Piston rod | See section "Hydraulic cylinder". | 1 | 4700 3827 60 |
| O-ring | See section "Hydraulic cylinder". | 1 | 4700 1600 09 |
| Guide ring | See section "Hydraulic cylinder". | 1 | 4700 3842 73 |
| Hydraulic cylinder | See section "Hydraulic cylinder". | 1 | 4700 3847 04 |
| Guide ring | See section "Hydraulic cylinder". | 1 | - |
| Piston seal | See section "Hydraulic cylinder". | 1 | - |

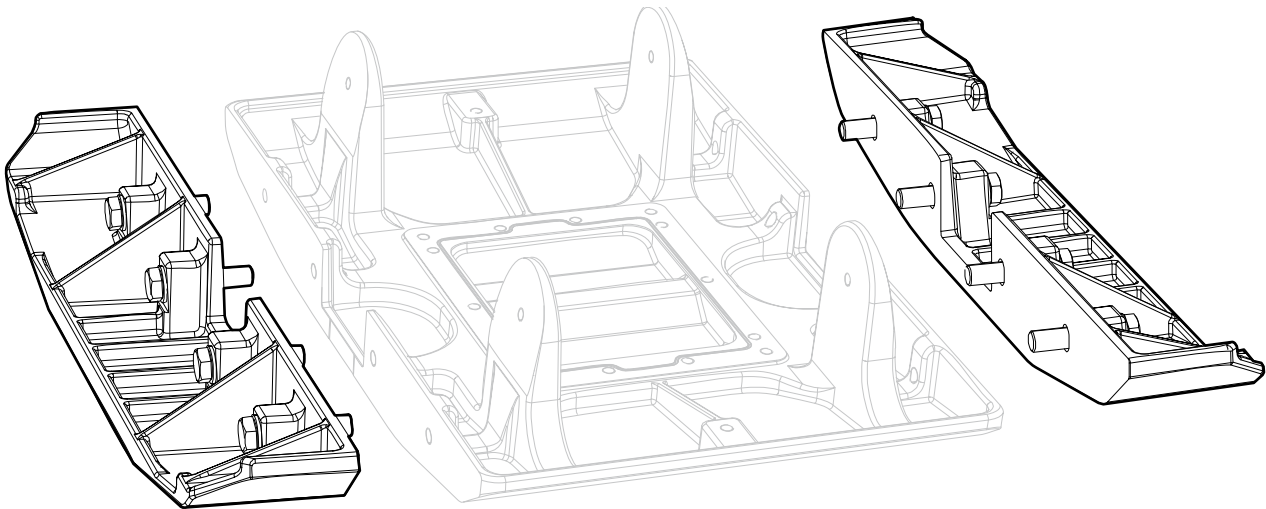
Extension plate kit 2 x 75 mm (2 x 2.95 in.)



| Description | Remark | Quantity | Part number |
|---|---|----------|--------------|
| Extension plate kit 2 x 75 mm (2 x 2.95 in.) | | 1 | 4700 3820 11 |
| Extension plate | 75 mm 2.95 in. | 2 | - |
| Washer | 21 x 36 x 3 mm 0.83 x 1.42 x 0.24 in. 300 HV | 8 | - |
| Screw | M20 x 90 mm 10.9 GEOMET® | 8 | 4700 9252 08 |

GEOMET is a registered trademark of Nof Metal Coatings North America Inc.

Extension plate kit 2 x 150 mm (2 x 5.90 in.)



| Description | Remark | Quantity | Part number |
|--|---|----------|--------------|
| Extension plate kit 2 x 150 mm (2 x 5.90 in.) | | 1 | 4700 3820 12 |
| Extension plate | 150 mm 5.90 in. | 2 | - |
| Screw | M20 x 90 mm 10.9 GEOMET® | 8 | 4700 9252 08 |
| Washer | 21 x 36 x 3 mm 0.83 x 1.42 x 0.24 in. 300 HV | 8 | - |

GEOMET is a registered trademark of Nof Metal Coatings North America Inc.



Any unauthorized use or copying of the contents or any part thereof is prohibited.
This applies in particular to trademarks, model denominations, part numbers, and drawings.

© 2013 Atlas Copco Construction Tools AB | No. 9800 1392 01 | 2013-06-28